

Product Specification

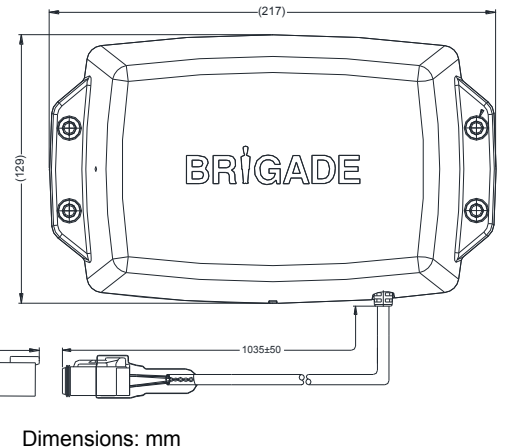
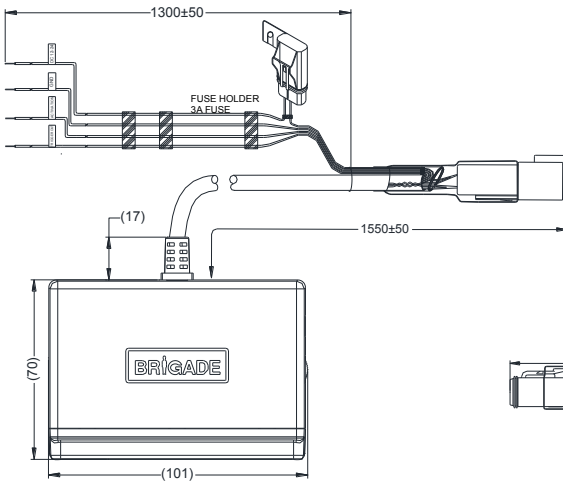


Brigade Model Number:

BS-7030, BS-7045, BS-7060

Brigade Part Number:

4527, 4528, 4529



Product Specification

Environmental Specifications:

- Shock Rating: 100 G
- Vibration Rating: 8.3 G (3 axis each 32 hr random)
- Sensor & Connectors / Display IP Rating: IP69K / IP30
- Operating Temperature: -40 to +85°C
- Storage Temperature: -40 to +90°C

Approved Standards:

- CE
EN 301 489 Electromagnetic compatibility and Radio spectrum Matters (ERM)
EN 300 440 Radio Equipment for Short Range Devices 1 to 40 GHz
EN 62311 Electronic and Electrical Equipment related to Human Exposure Restrictions for Electromagnetic Fields.
- E-Mark - 2004/108/EC, UNECE Regulation 10 Revision 04
- FCC - 47 CFR Part 15 Subpart B & C
- EN 13309:2010 - EMC for Construction Machinery, Compliance
- ISO 13766:2006 - EMC for Earth-Moving Machinery, Compliance
- RoHS 2
- WEEE

Technical Specifications:

- Operating Voltage Range: 9 to 32 Vdc
- Current Consumption: ≤ 0.8A
- Power Consumption: ≤ 8 Watts
- Detection Length: 3m (BS-7030), 4.5m (BS-7045), 6m (BS-7060)
- Detection Width: 2.5m (BS-7030), 3.5m (BS-7045), 4.5m (BS-7060)
- Nominal Tolerance: ± 0.25m
- Horizontal Detection Angle: 120°+0 / -20°
- Vertical Detection Angle: 12 ± 2°
- Detection Zones: 5, Fixed Equal Distance
- Detection Zone Lights: Green (furthest), Light Green, Yellow, Orange & Red (closest)
- Zone Light Brightness: >300 cd/m²
- Reaction Time: ≤ 0.5 second
- Power to System Ready: ≤ 6 seconds
- System Standby to Active: ≤ 0.2 second
- Activation Input: 1
- Trigger Output: 1

Technical Specifications Continued...

- Transmitter Type: FMCW
- Frequency: 24.068 to 24.218GHz
- Display / Sensor / Cable Weight: 300 / 700 / 500 Grams
- Display with Bracket Dimensions: 101(W) x 71(H) x 70(D) mm
- Sensor Dimensions: 217(W) x 129(H) x 50(D) mm
- Cable Length Sensor / Display / Ext. Cable: 1035 ± 50mm / 1550 ± 50mm / 9035 ± 50mm
- Connector Manufacturer / Part Number: Deutsch / DT-04-4P-CE02 and DT06-4S-CE06
- Max. Cable Distance Sensor to Display: 30000mm
- Wire Gauge to Vehicle Connections: 20 AWG
- Casing Material & Colour: ASA+PC (Sensor) / ABS777E (Display) both Black

Features:

- Controlled Rectangular Shaped Beam Pattern
- Frequency Modulated Continuous Wave Radar Technology (FMCW)
- Clear 5 Zone Visual and Audible Display
- Adjustable Buzzer Volume Range 65 to 90dB(A) at 1m, Frequency 2.8kHz
- High Ambient Light Conditions Usable Display with Removable Bracket and Adjustable 30° in all Directions
- Extremely Rugged Design

Package Contents:

- 1x BS-8000D - LED Display & Bracket
- 1x BS-8000S - Sensor & Fixings
- 1x BS-09DCX - 9m Cable
- 1x BS-XXXX-IG - Installation Guide
- 1x BKT-0172 - Adjustable Sensor Mounting Bracket (Optional)
- BS-05DCX / BS-09DCX - Ext. Cable 5m / 9m (Optional)

Brigade House The Mills Station Road South Darenth Kent DA4 9BD

Technical +44 (0) 1322 420347 marketing@brigade-electronics.com www.brigade-electronics.com

Specifications Subject To Change Without Notice

PS(4527, 4528, 4529)01 BS-70XX