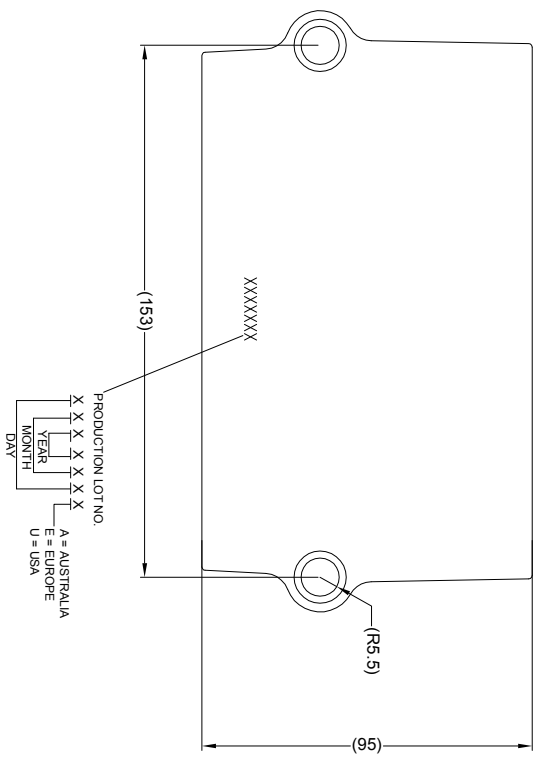
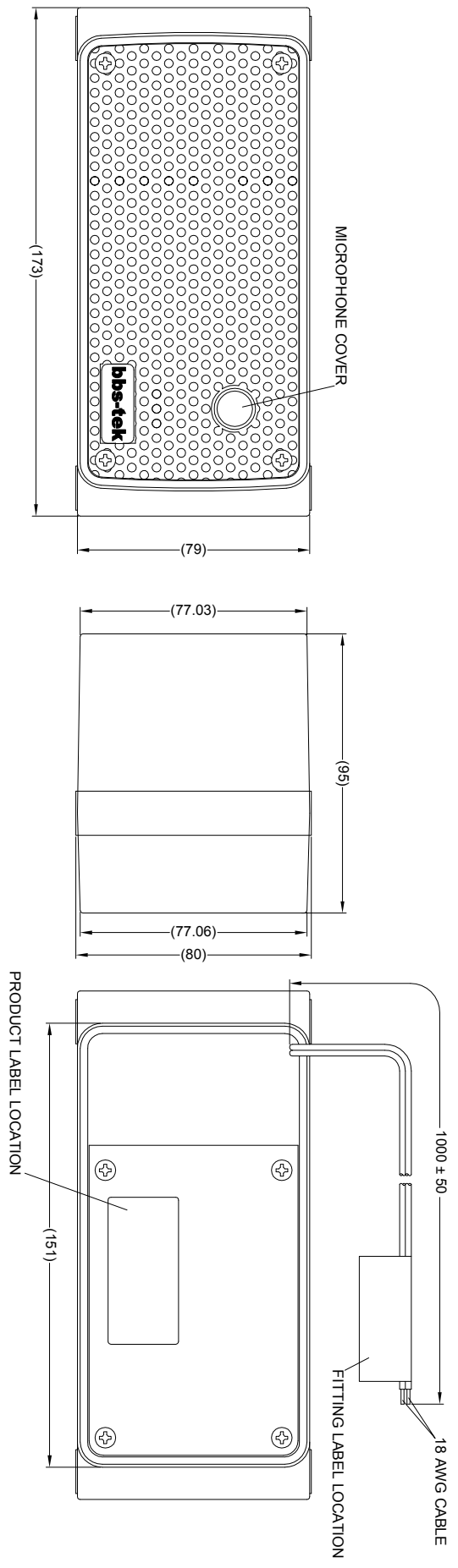


| | | | |
|---|-------------|------------------|-----------------|
| Revision Notes | | | |
| R1 - NOTES UPDATED TO UNCLUDE LABEL DETAILS AS PER ECR CR-A274. | | | |
| AP.A: KILDA | Drawn/BATES | Checked/M BUTLER | Approved/GSLITH |
| | | | Date: 28/08/14 |



SPECIFICATION:

1. RATED VOLTAGE : 12-24 VOLTS DIRECT CURRENT (WORKING VOLTAGE RANGE 10THRU 32 VOLTS)
2. TEST VOLTAGE : 14-28 VOLTS DIRECT CURRENT
3. RATED CURRENT : 1 AMPERES OR LESS
4. SOUND PRESSURE AT TEST VOLTAGE : MAX 107±4dB(A) - MIN 87±4dB(A)
5. SOUND PRESSURE SELF-ADJUSTING : +50B±4dB TO EXTERNAL NOISE
6. TONE:WHITE SOUND (BBS)
7. INTERMITTENCE:70±10 CYCLES PER MINUTE AT TEST VOLTAGES
8. ENVIRONMENTAL TESTS: SAE J994.

NOTES:

1. MATERIAL: NYLON 6 (G15% BLACK)
2. FOR PRODUCT LABEL REFER TO LATEST REVISION OF DRAWING BE-002833-XX-14.
3. FOR GIFTBOX LABEL REFER TO LATEST REVISION OF DRAWING BE-002834-XX-14.
4. "R TRIANGLE" INDICATES CHANGES MADE TO REVISION OF DRAWING AS IDENTIFIED IN REVISION NOTES.

PROPRIETARY NOTICE

THIS DESIGN AND TECHNICAL INFORMATION APPEARING ON THIS DRAWING IS THE PROPERTY OF BRIGADE ELECTRONICS, AND IS DISCLOSED IN CONFIDENCE. IT IS NOT TO BE COPIED, REPRODUCED, REVEALED TO OR EXPROPRIATED BY OTHERS, EITHER IN WHOLE OR IN PART WITHOUT THE EXPRESS WRITTEN CONSENT OF BRIGADE ELECTRONICS.



| | | | | | | | |
|----------------------|--|-------------|--|-----------------|--|--------------|--|
| Assembly Pl Approval | | Approved by | | Checked by | | Drawn by | |
| DKERAL | | DKERAL | | M BUTLER | | J NEWMAN | |
| Angle of Projection | | Units | | Scale | | Released | |
| Third Angle | | mm | | N/A | | 02/03/10 | |
| Status | | Part No | | SA-BBS-107 | | Assembly Ref | |
| RELEASED | | 1400 | | BE-001468-01-11 | | | |

