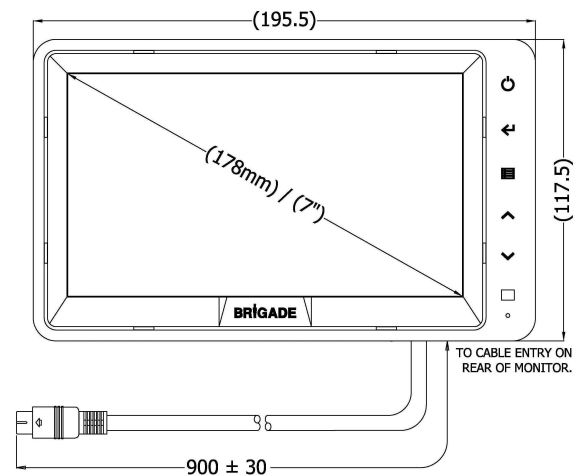
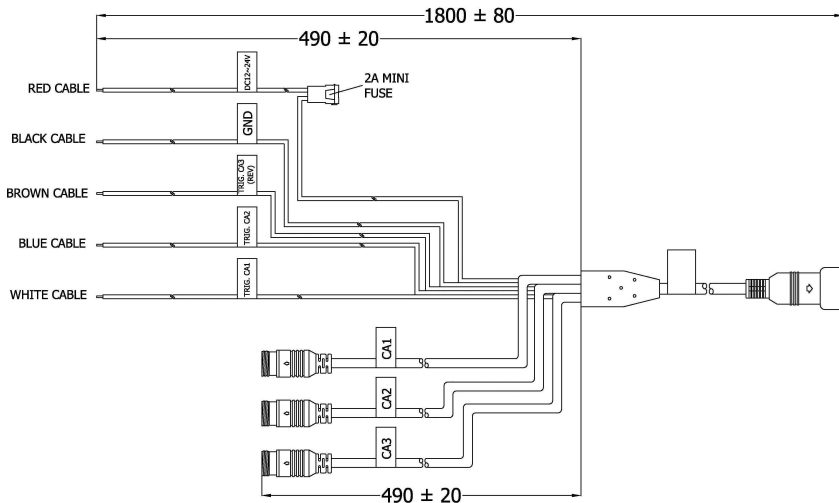


# Product Specification



**Brigade Model Number:** VBV-770M / VBV-770M-S  
**Brigade Part Number:** 4288A / 4697A



Dimensions: mm

## Product Specification

### Environmental Specifications:

- Shock Rating: 100 G
- Vibration Rating: 4 G (All 3 axis each 32hr random)
- Connector IP Rating: IP40
- Monitor IP Rating: IP30
- Operating Temperature: -30°C to +70°C
- Storage Temperature: -40°C to +85°C

### Approved Standards:

- CE - (EN 61000-6-2:2005 + AC:2005) / (EN 61000-6-3:2007 + A1:2011 + AC:2012)
- 'E' Mark - (ECE Regulation 10 Rev 04) (ECE Regulation 46 Rev 05 with VBV-300C/VBV-320C/VBV-700C/VBV-790C, SS-002)
- FCC - (47 CFR Part 15 Subpart B)
- HALT
- RoHS
- WEEE

### Technical Specifications:

- Operating Voltage: 12 / 24 Vdc
- Current Consumption: ≤ 1.5A @ 12Vdc
- Power Consumption: ≤ 18W @ 12Vdc
- TV System: PAL / NTSC
- Display Size: 7.0" (diagonal)
- Resolution: 800 x (RGB) x 480
- Contrast Ratio: 500:1
- Brightness: 400 cd/m<sup>2</sup>
- Display Viewing Angle: 50(T), 70(B), 70(L), 70(R)
- Number of Triggers Inputs: 3
- Mirror/Normal via OSD Menu: All Channels
- Number of Video Inputs:
 

	VBV-770M	VBV-770M-S
- 4 pin VBV connector	CA 3	CA 1, 2
- 5 pin VBV connector	-	CA 3
• Shutter camera support:	-	CA 3
• Tilt camera support:	-	-

### Technical Specifications Continued...

- Speaker Rating: 8Ω @ 1 Watt
- Monitor Dimensions: (Without Sunshield) 195.5 mm (W) x 25.5 mm (D) x 117.5 mm (H)
- Monitor Weight: Approx. 500 Grams
- Video Input Impedance: 1.0 Vp-p / 75Ω
- Power / Trigger Cable Thickness: 18 AWG
- Cable Length:
  - Monitor Pigtail: 900 ± 30mm
  - Cable Adapter: 1800 ± 80mm
- Casing Material: ABS Plastic
- Finish / Colour: Soft Touch Black

### Features:

- High quality digital LCD with LED backlight.
- Low reflection TFT LCD (Anti Glare Coating).
- Integrated light sensor for backlight dimming.
- Illuminated touch keypad.
- Keypad disable/lock via OSD menu.
- Integrated large speaker.
- Automatic detection of PAL or NTSC signal.
- Shutter camera support on VBV-770M-S
- 10 x On Screen Display (OSD) languages: (English, French, German, Spanish, Turkish Italian, Dutch, Portuguese, Russian, Polish)
- Configurable trigger off delay (0-20 sec.)
- Configurable trigger input functions.
- Configurable auto scan delay (0-20 sec.)
- 2 Variations of electronic on screen markers.
- Compatible with Remote Control VBV-7X0DM-RC.

### Package Contents:

- 1x VBV-770M-M - Monitor
- 1x VBV-7X0M-XCA - Cable Adapter
- 1x VBV-770M-SS - Sunshield
- 1x VBV-770M-X-IG - Installation Guide
- 1x BMM-015 - Bracket

Brigade House The Mills Station Road South Darent Kent DA4 9BD

Technical +44 (0) 1322 420347 marketing@brigade-electronics.com www.brigade-electronics.com