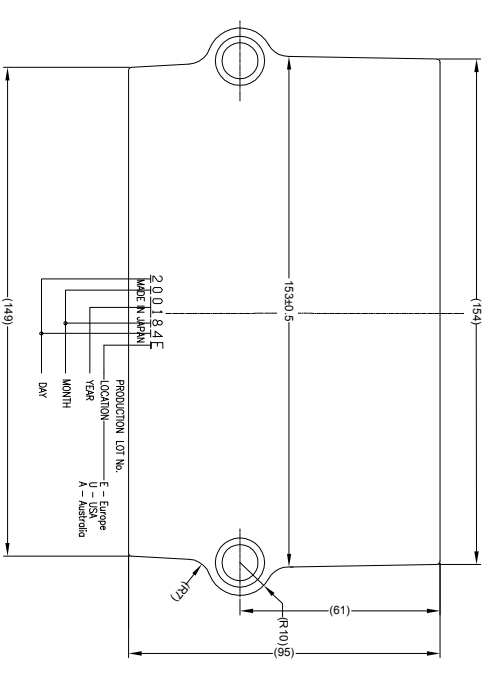
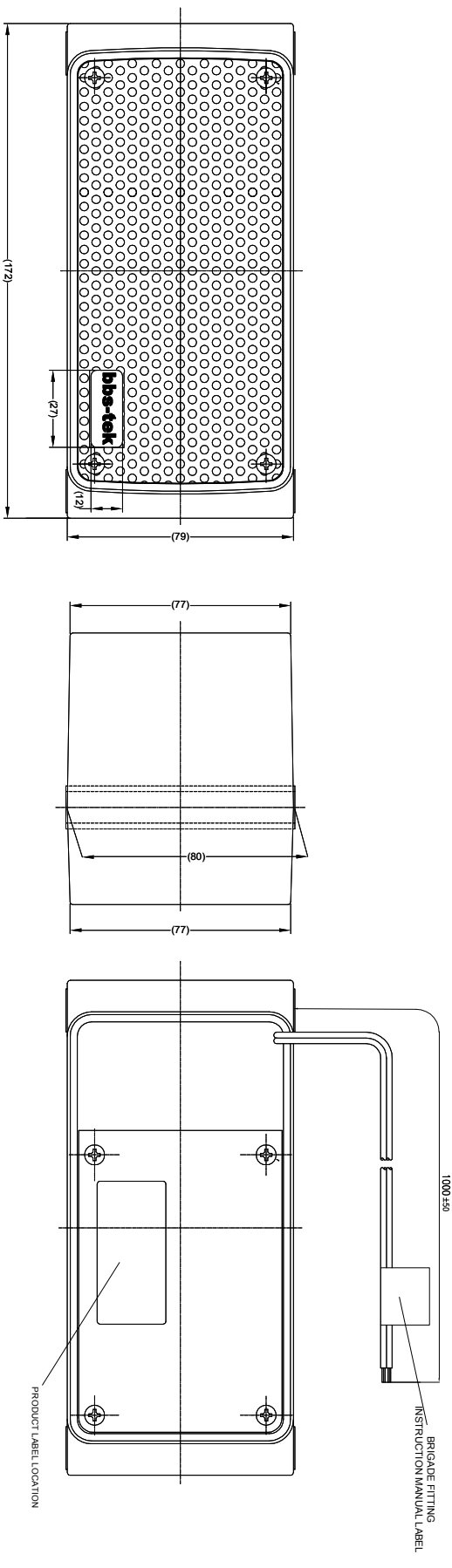


Revision Notes			
R1 - VOLTAGE RANGE UPDATED TO THE CORRECT RANGE.			
APA: -	Drawn: -	Checked: -	Approved: -
APA: -	Drawn: -	Checked: -	Date: -
R2 - PRODUCTION LOT NO LOCATION CORRECTED, MADE IN JAPAN ADDED FRAME UPDATED.			
APA: KIIDA	Drawn: RBATES	Checked: G.PLTH	Approved: B.JOHN
APA: KIIDA	Drawn: RBATES	Checked: M.BUTLER	Date: 10/05/13
R3 - NOTES UPDATED TO INCLUDE LABEL DETAILS. STANDARDS UPDATED AS PER ECR CR-A274.			
APA: KIIDA	Drawn: RBATES	Checked: M.BUTLER	Approved: G.PLTH
APA: KIIDA	Drawn: RBATES	Checked: M.BUTLER	Date: 28/08/14



200184E
MADE IN JAPAN

PRODUCTION LOT No. F - Europe
U - USA
A - Australia

LOCATION
YEAR
MONTH
DAY

- SPECIFICATION:
- 1) RATED VOLTAGE: 12/24 VOLTS DIRECT CURRENT (WORKING VOLTAGE RANGE 9-32 VOLTS)
 - 2) RATED CURRENT: 1 AMPERES OR LESS AT RATED VOLTAGE OF 24 VOLTS.
 - 3) SOUND PRESSURE: 102±4 DBAT RATED VOLTAGE OF 14/28 VOLTS (AS MEASURED AT A DISTANCE OF 1.2 METERS HEIGHT OF 1.2 METERS ABOVE THE GROUND)
 - 4) INTERMITTENCE: 80±10 CYCLES PER MINUTE AT RATED VOLTAGES OF 14/28 VOLTS.
 - 5) TONE: WHITE SOUND
 - 6) ENVIRONMENTAL TESTED TO SAEJ994.

- NOTES:
1. FOR PRODUCT LABEL REFER TO LATEST REVISION OF DRAWING: BE-002833-XX-14.
 2. FOR GIFTBOX LABEL REFER TO LATEST REVISION OF DRAWING: BE-002834-XX-14.
 3. 'R' TRIANGLE INDICATES CHANGES MADE TO REVISION OF DRAWING AS IDENTIFIED IN REVISION NOTES.



PROPRIETARY NOTICE

THIS DESIGN AND TECHNICAL INFORMATION APPEARING ON THIS DRAWING IS THE PROPERTY OF BRIGADE ELECTRONICS, AND IS DISCLOSED IN CONFIDENCE. IT IS NOT TO BE COPIED, REPRODUCED, REVEALED TO OR EXPLOITED BY OTHERS, EITHER IN WHOLE OR IN PART WITHOUT THE EXPRESS WRITTEN CONSENT OF BRIGADE ELECTRONICS.

BRIGADE
www.brigade-electronics.com

<p>Angle of Projection Third Angle</p>	Assembly PI Approval		Approved by		Checked by		Drawn by	
	K.IIDA		-		DKERAI		BKHEZR	
Status RELEASED		Units mm	Scale N/A	Released 00/00/00	Assembly Ref			
Part No 0898		BBS-102						
BE-000175-03-04								

1 2 3 4 5 6 7 8

H G F E D C B A