

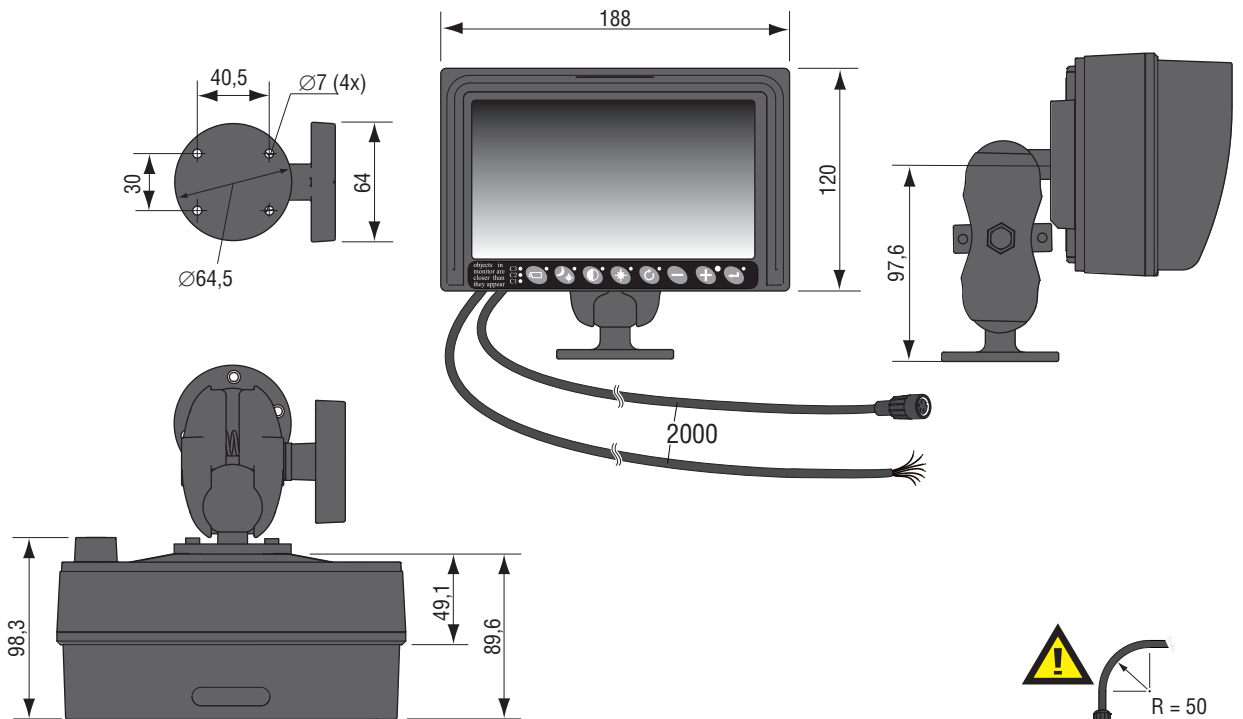
Vision is  
our mission®

Monitor 7" RLED R 2  
Article No. 0223000  
2016 • DS0223000 R1-1

# Product Data



## Dimensions



units in mm

Min. bend radius= 50mm

## TECHNICAL DATA

### Monitor 7" RLED R 2

	<b>Description</b>
<b>Article number</b>	<b>0223000</b>
<b>Cables / Connectors</b>	2m multicable (power) open wired, 2m video cable with 4p molded female connector. Art. No.: 8976211
<b>Bracket</b>	A clamping user-adjustable mounting bracket is supplied. Art. No.: 2015500
<b>Weight</b>	1,9kg (Monitor, bracket, cables and connectors)
<b>Type</b>	Automotive 7inch TFT liquid crystal display module LED backlight.
<b>Resolution</b>	WVGA 800xRGBx480 pixels.
<b>Viewing</b>	70° horizontal and 60° vertical (@ CR≥10).
<b>LED Life Time</b>	30000 Hrs.
<b>Typical performance</b>	Center luminance of white: 600cd/m2, Contrast ratio 650:1, Response time 5 ms (Tr).
<b>Software menu</b>	Full On-Screen-Display (OSD) functionality in 15 languages: English, Dutch, German, French, Czech, Hungarian, Italian, Polish, Portuguese, Spanish, Turkish, Swedish, Finnish, Danish, Norwegian.
<b>ABC mode</b>	Improved Auto Brightness Control (ABC) including one-touch day/night setting and adjustable minimum and maximum levels for automatic control.
<b>Operating temperature</b>	-40°C ..+85°C.
<b>Storage temperature</b>	-40°C ..+125°C.
<b>Electrical</b>	
<b>Input voltage range</b>	18...30V +/-10%.
<b>Power consumption</b>	Max 12W (only for the monitor, total power consumption depending on cameras and other peripherals)
<b>Protection</b>	>70V overvoltageprotection, <10V undervoltageprotection, protected against loaddumps, spikes and surges, reverse polarity on all wiring.
<b>Power-output</b>	Nominal 2A +/-10% for powering cameras and other peripherals.
<b>Video input</b>	1Vtt, 75Ω, Pal 50 Hz, 4,43MHz color sub carr. NTSC 60 Hz, 3,58MHz color sub carr.
<b>Mechanical</b>	
<b>Surface</b>	Hard coating (3H), with AG LR (Low Reflection) polarizer.
<b>Housing</b>	Color Black, material: aluminium & high impact automotive synthetic thermoplastic polymer.
<b>Shock constancy</b>	Shock and vibration resistant for usage on trucks, cranes, fork-lifts, maritime applications, machinery. Random vibration test 15,3Grms at frequency: 24 to 2000, PSD (g <sup>2</sup> /Hz) 0,04 to 0,10.
<b>Ingress protection</b>	IP67 according IEC60529 (Dust protected, protected against splashing water, 10L /min for 5 min)
<b>Truck use</b>	Withstand all fluids and materials used in and around trucks like: ammonia solution 5%, ethanol 80-100%, isopropanol 5-10%, soapy water (min. 50% soap per volume), alkaline degreasing compounds(used in high pressure washing equipment).
<b>Certification</b>	
<b>Quality &amp; environment</b>	Units are manufactured by Orlaco in the Netherlands; ISO 9001, ISO14001, ISO-TS14949.
<b>Approvals</b>	Approvals In compliance with all relevant EMC- and Automotive directives. Certificates available upon request. This device complies with Part 15 of the FCC Rules. Operation is subject to the following conditions: (1) this device may not cause harmful interference, and (2) this device must accept any interference received, including interference that may cause undesired operation.
<b>Green Passport</b>	All materials are compliant to Green Passport requirements according IMO resolution MEPC.197(62) as adopted on 15 July 2011 (Maritime sector: International Maritime Organization concerning the functions of the Marine Environment Protection Committee).
Each product is delivered with a User manual, Installation manual and Declaration Of Conformity (DOC).	
<b>Manuals</b>	
<b>User Manual</b>	UM0972080
<b>Installation Manual</b>	IM0973274

All data subject to change without notice. All dimensions are for commercial purpose only.

The camera/display systems from Orlaco comply with the latest CE, ADR, EMC and mirror-directive regulations, where applicable.

All products are manufactured in accordance with the ISO 9001 quality management system, ISO/TS 16949 quality automotive, ISO 14001 environmental management systems and all Ex products with the IECEx scheme and ATEX directives, where applicable.

